



GENERAL FILTRATION SYSTEMS

SYSTEM GENERAL SPECIFICATIONS

- * High quality FRP Tank
- * Automatic valve for filtration and backwashing automation
- * 2-7 bar operating pressure range
- * Backwash via timer control
- * Anthracite and different size of quartz minerals

SYSTEM OPTIONAL SPECIFICATIONS

- * Digital Valve
- * Mechanical Valve



STOCK CODE	MODEL	FLOW (20 M/H)	FLOW (30 M/H)	BACKWASH FLOW (30 M/H)	TANK AREA (M2)	CONNECTION (INCH)	ANTHRACITE (KGS)	GRAVEL (KGS)
Q1010FO	DQF 835-3/4"	0,6	0,9	0,9	0,03	3/4	5	7
Q1015FO	DQF 1035-3/4"	1	1,5	1,5	0,05	3/4	7	23
Q1020FO	DQF 1054-3/4"	1	1,5	1,5	0,05	3/4	15	35
Q1025FO	DQF 1354-1"	1,8	2,7	2,7	0,09	1	25	50
Q1030FO	DQF 1465-1"	2	3	3	0,10	1	25	75
Q1035FO	DQF 1665-1"	2,6	3,9	3,9	0,13	1	50	100
Q1040FO	DQF 1865-1 1/2"	3,2	4,8	4,8	0,16	1 1/2	50	125
Q1045FO	DQF 2162-1 1/2"	4,4	6,6	6,6	0,22	1 1/2	75	125
Q1050FO	DQF 2472-2"	5,8	8,7	8,7	0,29	2	100	150
Q1055FO	DQF 3072-2"	9	13,5	13,5	0,45	2	150	250
Q1060FO	DQF 3672-2"	13,2	19,8	19,8	0,66	2	200	400

* Systems above, are comprised with Runxin valve. Technical specifications will be updated in valve brand changes.



SYSTEM GENERAL SPECIFICATIONS

- * High quality FRP Tank
- * Automatic valve for filtration and backwashing automation
- * 2-7 bar operating pressure range
- * Backwash via timer control
- * Active carbon and different size of quartz minerals

SYSTEM OPTIONAL SPECIFICATIONS

- * Digital Valve
- * Mechanical Valve

STOCK CODE	MODEL	FLOW (20 M/H)	FLOW (30 M/H)	BACKWASH FLOW (30 M/H)	TANK AREA (M2)	CONNECTION (INCH)	ACTIVE CARBON (KGS)	GRAVEL (KGS)
C1010FO	DCF 835-3/4"	0,6	0,9	0,6	0,03	3/4	10	3
C1015FO	DCF 1035-3/4"	1	1,5	1	0,05	3/4	15	5
C1020FO	DCF 1054-3/4"	1	1,5	1	0,05	3/4	25	5
C1025FO	DCF 1354-1"	1,8	2,7	1,8	0,09	1	35	15
C1030FO	DCF 1465-1"	2	3	2	0,10	1	50	20
C1035FO	DCF 1665-1"	2,6	3,9	2,6	0,13	1	60	20
C1040FO	DCF 1865-1 1/2"	3,2	4,8	3,2	0,16	1 1/2	75	25
C1045FO	DCF 2162-1 1/2"	4,4	6,6	4,4	0,22	1 1/2	100	25
C1050FO	DCF 2472-2"	5,8	8,7	5,8	0,29	2	125	50
C1055FO	DCF 3072-2"	9	13,5	9	0,45	2	200	75
C1060FO	DCF 3672-2"	13,2	19,8	13,2	0,66	2	300	100

* Systems above, are comprised with Runxin valve. Technical specifications will be updated in valve brand changes.

* Systems above, are comprised with coal based active carbon. Technical specifications will be updated in case of using coconut based active carbon

SYSTEM GENERAL SPECIFICATIONS

- * High quality FRP Tank
- * Automatic valve for filtration and backwashing automation
- * 2-7 bar operating pressure range
- * Backwash via timer control
- * Anthracite, Birm and different size of quartz minerals

SYSTEM OPTIONAL SPECIFICATIONS

- * Digital Valve
- * Mechanical Valve



STOCK CODE	MODEL	FLOW (20 M/H)	FLOW (30 M/H)	BACKWASH FLOW (30 M/H)	TANK AREA (M2)	CONNECTION (INCH)	BIRM (KGS)	ANTHRACITE (KGS)	GRAVEL (KGS)
B1010FO	DBF 835-3/4"	0,6	0,9	0,9	0,03	3/4	5	7	5
B1015FO	DBF 1035-3/4"	1	1,5	1,5	0,05	3/4	7	15	7
B1020FO	DBF 1054-3/4"	1	1,5	1,5	0,05	3/4	10	20	7
B1025FO	DBF 1354-1"	1,8	2,7	2,7	0,09	1	15	25	25
B1030FO	DBF 1465-1"	2	3	3	0,10	1	25	37	25
B1035FO	DBF 1665-1"	2,6	3,9	3,9	0,13	1	25	50	25
B1040FO	DBF 1865-1 1/2"	3,2	4,8	4,8	0,16	1 1/2	50	75	50
B1045FO	DBF 2162-1 1/2"	4,4	6,6	6,6	0,22	1 1/2	50	100	50
B1050FO	DBF 2472-2"	5,8	8,7	8,7	0,29	2	50	125	50
B1055FO	DBF 3072-2"	9	13,5	13,5	0,45	2	150	200	200
B1060FO	DBF 3672-2"	13,2	19,8	19,8	0,66	2	200	300	300

* Systems above, are comprised with Runxin valve. Technical specifications will be updated in valve brand changes.



SYSTEM GENERAL SPECIFICATIONS

- * High quality FRP Tank
- * Automatic valve for filtration and backwashing automation
- * 2-7 bar operating pressure range
- * Backwash via timer control
- * Aquamandix and different size of quartz minerals

SYSTEM OPTIONAL SPECIFICATIONS

- * Digital Valve
- * Mechanical Valve

STOCK CODE	MODEL	FLOW (20 M/H)	FLOW (30 M/H)	BACKWASH FLOW (30 M/H)	TANK AREA (M2)	CONNECTION (INCH)	AQUAMANDIX (LT)	GRAVEL (KGS)
A1010FO	DAF 835-3/4"	0,6	0,9	0,6	0,03	3/4	20	3
A1015FO	DAF 1035-3/4"	1	1,5	1	0,05	3/4	30	5
A1020FO	DAF 1054-3/4"	1	1,5	1	0,05	3/4	50	5
A1025FO	DAF 1354-1"	1,8	2,7	1,8	0,09	1	70	15
A1030FO	DAF 1465-1"	2	3	2	0,10	1	100	20
A1035FO	DAF 1665-1"	2,6	3,9	2,6	0,13	1	125	20
A1040FO	DAF 1865-1 1/2"	3,2	4,8	3,2	0,16	1 1/2	150	25
A1045FO	DAF 2162-1 1/2"	4,4	6,6	4,4	0,22	1 1/2	200	25
A1050FO	DAF 2472-2"	5,8	8,7	5,8	0,29	2	250	50
A1055FO	DAF 3072-2"	9	13,5	9	0,45	2	400	75
A1060FO	DAF 3672-2"	13,2	19,8	13,2	0,66	2	600	100

* Systems above, are comprised with Runxin valve. Technical specifications will be updated in valve brand changes.

SYSTEM GENERAL SPECIFICATIONS

- * High Quality FRP Tank
- * Electronic Card for filtration and backwashing automation
- * PVC Piping
- * Valves with electric actuator
- * 2-7 bar operating pressure range
- * Backwash via timer control
- * Anthracite and different size of quartz minerals

SYSTEM OPTIONAL SPECIFICATIONS

- * Backwash via differential pressure
- * Siemens Logo automation
- * Siemens S7 200 automation
- * Valves with pneumatic actuator
- * Stainless Steel piping



STOCK CODE	MODEL	FLOW (20 M/H)	FLOW (30 M/H)	BACKWASH FLOW (30 M/H)	TANK AREA (M2)	CONNECTION (INCH)	ANTHRACITE (KGS)	GRAVEL (KGS)
Q1055FY	DQFP 3072-1 1/2"	9	13,5	13,5	0,45	1 1/2	150	250
Q1060FY	DQFP 3672-2"	13,2	19,8	19,8	0,66	2	200	400
Q1065FY	DQFP 4272-2"	17,8	26,7	26,7	0,89	2	250	450
Q1070FY	DQFP 4872-3"	23,4	35,1	35,1	1,17	3	300	500
Q1075FY	DQFP 6386-4"	40	60	60	2	4	500	1500

* Technical specifications above are comprised by using PVC surface piping, electronic card automation, electrically actuated valves. If optional features are preferred, there will be a price difference.

* If backwashing is requested according to the differential pressure, there will be a price difference as the automation system will be changed and differential pressure sensors will be added.



SYSTEM GENERAL SPECIFICATIONS

- * High Quality FRP Tank
- * Electronic Card for filtration and backwashing automation
- * PVC Piping
- * Valves with electric actuator
- * 2-7 bar operating pressure range
- * Backwash via timer control
- * Active carbon and different size of quartz minerals

SYSTEM OPTIONAL SPECIFICATIONS

- * Backwash via differential pressure
- * Siemens Logo automation
- * Siemens S7 200 automation
- * Valves with pneumatic actuator
- * Stainless Steel piping

STOCK CODE	MODEL	FLOW (20 M/H)	FLOW (30 M/H)	BACKWASH FLOW (30 M/H)	TANK AREA (M2)	CONNECTION (INCH)	ACTIVE CARBON (KGS)	GRAVEL (KGS)
C1055FY	DCFP 3072-11/2"	9	13,5	9	0,45	11/2	200	75
C1060FY	DCFP 3672-2"	13,2	19,8	13,2	0,66	2	300	100
C1065FY	DCFP 4272-2"	17,8	26,7	17,8	0,89	2	375	150
C1070FY	DCFP 4872-3"	23,4	35,1	23,4	1,17	3	425	200
C1075FY	DCFP 6386-4"	40	60	40	2	4	750	500

* Technical specifications above are comprised by using PVC surface piping, electronic card automation, electrically actuated valves. If optional features are preferred, there will be a price difference.

* If backwashing is requested according to the differential pressure, there will be a price difference as the automation system will be changed and differential pressure sensors will be added.

* Systems above, are comprised with coal based active carbon. Technical specifications will be updated in case of using coconut based active carbon.

SYSTEM GENERAL SPECIFICATIONS

- * High Quality FRP Tank
- * Electronic Card for filtration and backwashing automation
- * PVC Piping
- * Valves with electric actuator
- * 2-7 bar operating pressure range
- * Backwash via timer control
- * Anthracite, Birm and different size of quartz minerals

SYSTEM OPTIONAL SPECIFICATIONS

- * Backwash via differential pressure
- * Siemens Logo automation
- * Siemens S7 200 automation
- * Valves with pneumatic actuator
- * Stainless Steel piping



STOCK CODE	MODEL	FLOW (20 M/H)	FLOW (30 M/H)	BACKWASH FLOW (30 M/H)	TANK AREA (M2)	CONNECTION (INCH)	BIRM (KGS)	ANTHRACITE (KGS)	GRAVEL (KGS)
B1055FY	DBFP 3072-1 1/2"	9	13,5	13,5	0,45	1 1/2	150	200	200
B1060FY	DBFP 3672-2"	13,2	19,8	19,8	0,66	2	200	300	300
B1065FY	DBFP 4272-2"	17,8	26,7	26,7	0,89	2	225	350	350
B1070FY	DBFP 4872-3"	23,4	35,1	35,1	1,17	3	250	375	400
B1075FY	DBFP 6386-4"	40	60	60	2	4	275	400	475

* Technical specifications above are comprised by using PVC surface piping, electronic card automation, electrically actuated valves. If optional features are preferred, there will be a price difference.

* If backwashing is requested according to the differential pressure, there will be a price difference as the automation system will be changed and differential pressure sensors will be added.



SYSTEM GENERAL SPECIFICATIONS

- * High Quality FRP Tank
- * Electronic Card for filtration and backwashing automation
- * PVC Piping
- * Valves with electric actuator
- * 2-7 bar operating pressure range
- * Backwash via timer control
- * Aquamandix and different size of quartz minerals

SYSTEM OPTIONAL SPECIFICATIONS

- * Backwash via differential pressure
- * Siemens Logo automation
- * Siemens S7 200 automation
- * Valves with pneumatic actuator
- * Stainless Steel piping

STOCK CODE	MODEL	FLOW (20 M/H)	FLOW (30 M/H)	BACKWASH FLOW (30 M/H)	TANK AREA (M2)	CONNECTION (INCH)	AQUAMANDIX (LT)	GRAVEL (KGS)
A1055FY	DAFP 3072-1 1/2"	9	13,5	9	0,45	1 1/2	400	75
A1060FY	DAFP 3672-2"	13,2	19,8	13,2	0,66	2	600	100
A1065FY	DAFP 4272-2"	17,8	26,7	17,8	0,89	2	750	150
A1070FY	DAFP 4872-3"	23,4	35,1	23,4	1,17	3	850	250
A1075FY	DAFP 6386-4"	40	60	40	2	4	1000	400

* Technical specifications above are comprised by using PVC surface piping, electronic card automation, electrically actuated valves. If optional features are preferred, there will be a price difference.

* If backwashing is requested according to the differential pressure, there will be a price difference as the automation system will be changed and differential pressure sensors will be added.

SYSTEM GENERAL SPECIFICATIONS

- * High Quality FRP Tank
- * Manual valve for filtration and backwashing automation
- * PVC Piping for 42"x72" tanks and beyond
- * Manual valves with PVC body
- * Anthracite and different size of quartz minerals

SYSTEM OPTIONAL SPECIFICATIONS

- * Automatic valves



STOCK CODE	MODEL	FLOW (20 M/H)	FLOW (30 M/H)	BACKWASH FLOW (30 M/H)	TANK AREA (M2)	CONNECTION (INCH)	ANTHRACITE (KGS)	GRAVEL (KGS)
Q1010FM	DQMF 835-1"	0,6	0,9	0,9	0,03	1	5	7
Q1015FM	DQMF 1035-1"	1	1,5	1,5	0,05	1	7	23
Q1020FM	DQMF 1054-1"	1	1,5	1,5	0,05	1	15	35
Q1025FM	DQMF 1354-1"	1,8	2,7	2,7	0,09	1	25	50
Q1030FM	DQMF 1465-1"	2	3	3	0,10	1	25	75
Q1035FM	DQMF 1665-1"	2,6	3,9	3,9	0,13	1	50	100
Q1040FM	DQMF 1865-1"	3,2	4,8	4,8	0,16	1	50	125
Q1045FM	DQMF 2162-2"	4,4	6,6	6,6	0,22	2	75	125
Q1050FM	DQMF 2472-2"	5,8	8,7	8,7	0,29	2	100	150
Q1055FM	DQMF 3072-2"	9	13,5	13,5	0,45	2	150	250
Q1060FM	DQMF 3672-2"	13,2	19,8	19,8	0,66	2	200	400
Q1065FM	DQMF 4272-2"	17,8	26,7	26,7	0,89	2	250	450
Q1070FM	DQMF 4872-3"	23,4	35,1	35,1	1,17	3	300	500
Q1075FM	DQMF 6386-4"	40	60	60	2	4	500	1500



SYSTEM GENERAL SPECIFICATIONS

- * High Quality FRP Tank
- * Manual valve for filtration and backwashing automation
- * PVC Piping for 42"x72" tanks and beyond
- * Manual valves with PVC body
- * Mixedbed resin as Purolite brand

SYSTEM OPTIONAL SPECIFICATIONS

- * Automatic valves

STOCK CODE	MODEL	FLOW (20 M/H)	FLOW (30 M/H)	TANK AREA (M2)	CONNECTION (INCH)	MIXBED RESIN (LT)
M1010FM	DMF 835-1"	0,6	0,9	0,03	1	15
M1015FM	DMF 1035-1"	1	1,5	0,05	1	25
M1020FM	DMF 1054-1"	1	1,5	0,05	1	50
M1025FM	DMF 1354-1"	1,8	2,7	0,09	1	75
M1030FM	DMF 1465-1"	2	3	0,10	1	100
M1035FM	DMF 1665-1"	2,6	3,9	0,13	1	150
M1040FM	DMF 1865-1"	3,2	4,8	0,16	1	175
M1045FM	DMF 2162-2"	4,4	6,6	0,22	2	250
M1050FM	DMF 2472-2"	5,8	8,7	0,29	2	350
M1055FM	DMF 3072-2"	9	13,5	0,45	2	500
M1060FM	DMF 3672-2"	13,2	19,8	0,66	2	700
M1065FM	DMF 4272-2"	17,8	26,7	0,89	2	1000
M1070FM	DMF 4872-3"	23,4	35,1	1,17	3	2000
M1075FM	DMF 6386-4"	40	60	2	4	2500

SYSTEM GENERAL SPECIFICATIONS

- * High Quality FRP Tank
- * Manual valve for filtration and backwashing automation
- * PVC Piping for 42"x72" tanks and beyond
- * Manual valves with PVC body
- * Dolomite mineral suitable for drinking water

SYSTEM OPTIONAL SPECIFICATIONS

- * Automatic valves



STOCK CODE	MODEL	FLOW (20 M/H)	FLOW (30 M/H)	TANK AREA (M2)	CONNECTION (INCH)	DOLOMITE (KGS)
D1010FM	DDF 835-1"	0,6	0,9	0,03	1	25
D1015FM	DDF 1035-1"	1	1,5	0,05	1	50
D1020FM	DDF 1054-1"	1	1,5	0,05	1	75
D1025FM	DDF 1354-1"	1,8	2,7	0,09	1	100
D1030FM	DDF 1465-1"	2	3	0,10	1	150
D1035FM	DDF 1665-1"	2,6	3,9	0,13	1	200
D1040FM	DDF 1865-1"	3,2	4,8	0,16	1	250
D1045FM	DDF 2162-2"	4,4	6,6	0,22	2	350
D1050FM	DDF 2472-2"	5,8	8,7	0,29	2	500
D1055FM	DDF 3072-2"	9	13,5	0,45	2	750
D1060FM	DDF 3672-2"	13,2	19,8	0,66	2	1000
D1065FM	DDF 4272-2"	17,8	26,7	0,89	2	1500
D1070FM	DDF 4872-3"	23,4	35,1	1,17	3	2000
D1075FM	DDF 6386-4"	40	60	2	4	2500



SYSTEM GENERAL SPECIFICATIONS

- * Epoxy painted ST37 Tank
- * Electronic Card for filtration and backwashing automation
- * PVC Piping
- * Valves with electric actuator
- * 2-7 bar operating pressure range
- * Backwash via timer control
- * Anthracite and different size of quartz minerals

SYSTEM OPTIONAL SPECIFICATIONS

- * Backwash via differential pressure
- * Siemens Logo automation
- * Siemens S7 200 automation
- * Valves with pneumatic actuator
- * Stainless Steel tank or piping
- * Colour alternatives for tanks

STOCK CODE	MODEL	FLOW (20 M/H)	FLOW (30 M/H)	BACKWASH FLOW (30 M/H)	TANK AREA (M2)	CONNECTION (INCH)	ANTHRACITE (KGS)	GRAVEL (KGS)
Q1070CY	EQSP 1250-2 1/2"	24,6	36,9	36,9	1,23	2 1/2	250	1375
Q1075CY	EQSP 1600-3"	40	60	60	2	3	450	2375
Q1080CY	EQSP 2000-4"	62,8	94,2	94,2	3,14	4	600	3150
Q1085CY	EQSP 2400-5"	90,4	135,6	135,6	4,52	5	850	4525
Q1090CY	EQSP 2800-6"	123	185,4	185,4	6,15	6	1150	6200

Technical specifications above are comprised by using PVC surface piping, electronic card automation, electrically actuated valves. If optional features are preferred, there will be a price difference.

* If backwashing is requested according to the differential pressure, there will be a price difference as the automation system will be changed and differential pressure sensors will be added.

SYSTEM GENERAL SPECIFICATIONS

- * Epoxy painted ST37 Tank
- * Electronic Card for filtration and backwashing automation
- * PVC Piping
- * Valves with electric actuator
- * 2-7 bar operating pressure range
- * Backwash via timer control
- * Active Carbon and different size of quartz minerals

SYSTEM OPTIONAL SPECIFICATIONS

- * Backwash via differential pressure
- * Siemens Logo automation
- * Siemens S7 200 automation
- * Valves with pneumatic actuator
- * Stainless Steel tank or piping
- * Colour alternatives for tanks



STOCK CODE	MODEL	FLOW (20 M/H)	FLOW (30 M/H)	BACKWASH FLOW (30 M/H)	TANK AREA (M2)	CONNECTION (INCH)	ACTIVE CARBON (KGS)	GRAVEL (KGS)
C1070CY	ECSP 1250 2/12"	24,6	36,9	24,6	1,23	2 1/2	475	700
C1075CY	ECSP 1600-3"	40	60	40	2	3	850	550
C1080CY	ECSP 2000-4"	62,8	94,2	62,8	3,14	4	1325	600
C1085CY	ECSP 2400-5"	90,4	135,6	90,4	4,52	5	1800	725
C1090CY	ECSP 2800-6"	123	185,4	123	6,15	6	2600	975

* Technical specifications above are comprised by using PVC surface piping, electronic card automation, electrically actuated valves. If optional features are preferred, there will be a price difference.

* If backwashing is requested according to the differential pressure, there will be a price difference as the automation system will be changed and differential pressure sensors will be added.

* Systems above, are comprised with coal based active carbon. Technical specifications will be updated in case of using coconut based active carbon.



SYSTEM GENERAL SPECIFICATIONS

- * Epoxy painted ST37 Tank
- * Electronic Card for filtration and backwashing automation
- * PVC Piping
- * Valves with electric actuator
- * 2-7 bar operating pressure range
- * Backwash via timer control
- * Anthracite, Birm and different size of quartz minerals

SYSTEM OPTIONAL SPECIFICATIONS

- * Backwash via differential pressure
- * Siemens Logo automation
- * Siemens S7 200 automation
- * Valves with pneumatic actuator
- * Stainless Steel tank or piping
- * Colour alternatives for tanks

STOCK CODE	MODEL	FLOW (20 M/H)	FLOW (30 M/H)	BACKWASH FLOW (30 M/H)	TANK AREA (M2)	CONNECTION (INCH)	BIRM (KGS)	ANTHRACITE (KGS)	GRAVEL (KGS)
B1070CY	EBSP 1250-2 1/2"	24,6	36,9	24,6	1,13	2 1/2	575	250	800
B1075CY	EBSP 1600-3"	40	60	40	2	3	875	450	1500
B1080CY	EBSP 2000-4"	62,8	94,2	62,8	3,14	4	1000	600	2150
B1085CY	EBSP 2400-5"	90,4	135,6	90,4	4,52	5	1525	850	3000
B1090CY	EBSP 2800-6"	123	185,4	123	6,15	6	2200	1150	4000

* Technical specifications above are comprised by using PVC surface piping, electronic card automation, electrically actuated valves. If optional features are preferred, there will be a price difference.

* If backwashing is requested according to the differential pressure, there will be a price difference as the automation system will be changed and differential pressure sensors will be added.

SYSTEM GENERAL SPECIFICATIONS

- * Epoxy painted ST37 Tank
- * Electronic Card for filtration and backwashing automation
- * PVC Piping
- * Valves with electric actuator
- * 2-7 bar operating pressure range
- * Backwash via timer control
- * Aquamandix and different size of quartz minerals

SYSTEM OPTIONAL SPECIFICATIONS

- * Backwash via differential pressure
- * Siemens Logo automation
- * Siemens S7 200 automation
- * Valves with pneumatic actuator
- * Stainless Steel tank or piping
- * Colour alternatives for tanks



STOCK CODE	MODEL	FLOW (20 M/H)	FLOW (30 M/H)	BACKWASH FLOW (30 M/H)	TANK AREA (M2)	CONNECTION (INCH)	AQUAMANDIX (LT)	GRAVEL (KGS)
A1070CY	EASP 1250 2 1/2"	24,6	36,9	36,9	1,23	2 1/2	1250	600
A1075CY	EASP 1600-3"	40	60	60	2	3	1750	900
A1080CY	EASP 2000-4"	62,8	94,2	94,2	3,14	4	2500	1200
A1085CY	EASP 2400-5"	90,4	135,6	135,6	4,52	5	3150	1500
A1090CY	EASP 2800-6"	123	185,4	185,4	6,15	6	4500	1600

* Technical specifications above are comprised by using PVC surface piping, electronic card automation, electrically actuated valves. If optional features are preferred, there will be a price difference.

* If backwashing is requested according to the differential pressure, there will be a price difference as the automation system will be changed and differential pressure sensors will be added.



PRECISE FILTRATION SYSTEMS



SYSTEM GENERAL SPECIFICATIONS

- * SS 304 Body material
- * 2-10 bar operating pressure
- * Appropriate design for standard cartridges
- * Easy to change cartridges

SYSTEM OPTIONAL SPECIFICATIONS

- * SS 316 body material
- * Otomatik cleaning unit (for more than 50 micron cartridges)
- * Pressure resistant design for more than 10 bar

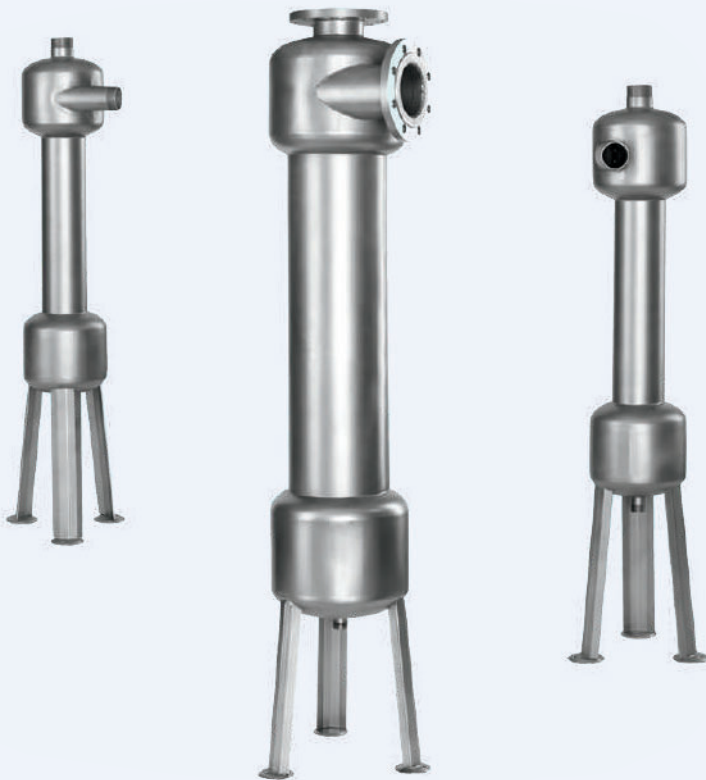
STOCK CODE (SS304)	STOCK CODE (SS316)	MODEL	CARTRIDGE LENGTH (INCH)	CARTRIDGE QUANTITY (UNIT)	CONNECTION (INCH)	FLOW 5 MICRON (M3/H)	FLOW 20 MICRON (M3/H)	FLOW 50 MICRON (M3/H)
CFI010SM	CFI010XM	FSD 320	20	3	2	8,1	16,2	18
CFI015SM	CFI015XM	FSD 330	30	3	2	11,7	23,4	27
CFI020SM	CFI020XM	FSD 340	40	3	2	15,6	31,2	36
CFI025SM	CFI025XM	FSD 530	30	5	2	19,5	39	45
CFI030SM	CFI030XM	FSD 540	40	5	2	26	52	60
CFI035SM	CFI035XM	FSD 830	30	8	3	31,2	62,4	72
CFI040SM	CFI040XM	FSD 840	40	8	3	41,6	83,2	96
CFI045SM	CFI045XM	FSD 1230	30	12	3	46,8	93,6	108
CFI050SM	CFI050XM	FSD 1240	40	12	3	62,4	124,8	144
CFI055SM	CFI055XM	FSD 1640	40	16	4	83,4	166,4	192
CFI060SM	CFI060XM	FSD 1940	40	19	4	98,8	197,6	228

SYSTEM GENERAL SPECIFICATIONS

- * PVC Body material
- * 2-7 bar operating pressure
- * Appropriate design for standard cartridges
- * Easy to change cartridges
- * Suitability for use in sea water and high salinity waters with its anticorrosive inner surface



STOCK CODE	MODEL	CARTRIDGE LENGTH (INCH)	CARTRIDGE QUANTITY (UNIT)	CONNECTION (INCH)	FLOW 5 MICRON (M3/H)	FLOW 20 MICRON (M3/H)	FLOW 50 MICRON (M3/H)
CF1065PM	FPD 520	20	5	50	13,5	27	30
CF1070PM	FPD 530	30	5	50	19,5	39	45
CF1075PM	FPD 540	40	5	50	26	52	60
CF1080PM	FPD 930	30	9	80	35,1	70	81
CF1085PM	FPD 940	40	9	80	46,9	94	108


SYSTEM GENERAL SPECIFICATIONS

- * Epoxy painted ST37 Steel body
- * 2-10 bar operating pressure
- * 70-110 micron filtration sensivity
- * 1" drainage line

SYSTEM OPTIONAL SPECIFICATIONS

- * SS 304 Body material
- * SS 316 Body material
- * Automatic drainage valve

STOCK CODE (ST37)	STOCK CODE (SS304)	STOCK CODE (SS316)	MODEL	FLOW (M3/H)	CONNECTION (INCH)	WIDTH (MM)	LENGTH (MM)	HEIGHT (MM)
SF1010CM	SF1010SM	SF1010XM	FZD 100	1-1,5	1/2	780	176	140
SF1015CM	SF1015SM	SF1015XM	FZD 150	2-7,5	3/4	780	176	140
SF1020CM	SF1020SM	SF1020XM	FZD 175	6,5-11	1	775	208	168
SF1025CM	SF1025SM	SF1025XM	FZD 200	10-16	1 1/4	775	223	168
SF1030CM	SF1030SM	SF1030XM	FZD 250	14,5-18	1 1/2	775	223	168
SF1035CM	SF1035SM	SF1035XM	FZD 350	17-24,5	2	1185	450	410
SF1040CM	SF1040SM	SF1040XM	FZD 450	22-35	2 1/2	1185	450	410
SF1045CM	SF1045SM	SF1045XM	FZD 600	33,5-66	3	1430	520	470
SF1050CM	SF1050SM	SF1050XM	FZD 800	64-110	12	1720	540	485
AUTOMATIC DRAINAGE VALVE								

SYSTEM GENERAL SPECIFICATIONS

- * SS 304 Body material
- * 2-10 bar operating pressure
- * Appropriate design for standard filter bags
- * Easy to change filter bags

SYSTEM OPTIONAL SPECIFICATIONS

- * SS 316 body material
- * Otomatik cleaning unit (for more than 50 micron)
- * Pressure resistant design for more than 10 bar



STOCK CODE (SS 304)	STOCK CODE (SS 316)	MODEL	BAG LENGTH (INCH)	BAG QUANTITY (UNIT)	CONNECTION (DN)	FLOW 5 MICRON (M3/H)	FLOW 20 MICRON (M3/H)
BF1010SM	BF1010XM	FBD 132	32"	1	2"	20	40
BF1015SM	BF1015XM	FBD332	32"	3	3"	60	180

SYSTEM GENERAL SPECIFICATIONS

- * PE Body material
- * 2-7 bar operating pressure
- * Appropriate design for standard cartridges
- * Easy to change cartridges
- * Suitability for use in sea water and high salinity waters with its anticorrosive inner surface



STOCK CODE	MODEL	CARTRIDGE LENGTH (INCH)	CARTRIDGE QUANTITY (UNIT)	CONNECTION (INCH)	FLOW 5 MICRON (M3/H)	FLOW 20 MICRON (M3/H)	FLOW 50 MICRON (M3/H)
CFI010PM	FD1-10"	10"	1	1	1,3	2,6	3
CFI015PM	FD1-20"	20"	1	1	2,7	5,4	6
CFI020PM	FD2-20"	20"	2	1	2,7	5,4	6
CFI025PM	FD3-20"	20"	3	1	2,7	5,4	6
CFI030PM	FB1-10"	10" BB	1	1	5	10	-
CFI035PM	FB1-20"	20" BB	1	1 1/2	10	20	-